

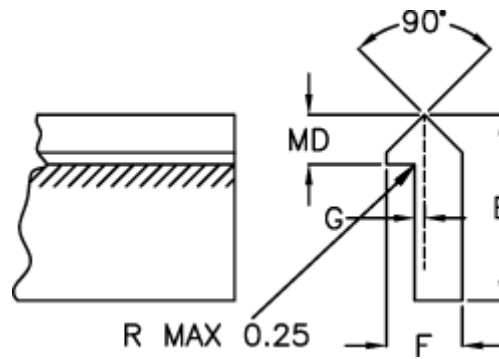
Data Sheet



Article number: 055625500

Description: Single edge track TS2 5500mm

Measures



E = 15.87

F = 6.35

G = 0.78

Kg/m = 0.509

MD(T) = 4.75